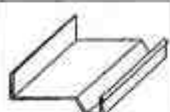
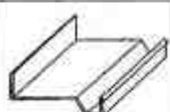
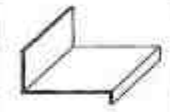






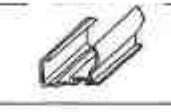
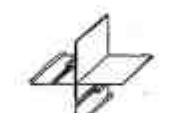

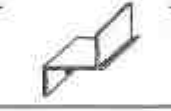




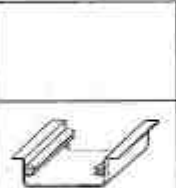
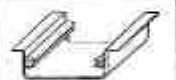



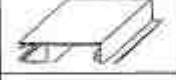





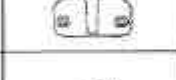

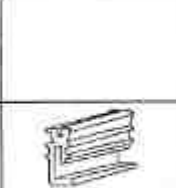
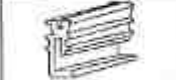


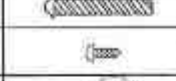









| NO. |  | mm | MODEL | | | | | Sektion |
|------|---|--------|-------|----|----|----|----|---------|
| | | | 01 | 02 | 03 | 04 | 05 | |
| 1001 |  | 1862 | 1 | 1 | 1 | 1 | 1 | 3 |
| 1002 |  | 1240 | 2 | | | | | 1 |
| 1003 | | 1862 | | 2 | | | | 1 |
| 1004 | | 2484 | | | 2 | | | 1 |
| 1005 | | 3106 | | | | 2 | | 1 |
| 1006 | | 3728 | | | | | 2 | 1 |
| 1007 | | 1290 | 2 | | | | | 1 |
| 1008 |  | 1912 | | 2 | | | | 1 |
| 1009 | | 2534 | | | 2 | | | 1 |
| 1010 | | 3156 | | | | 2 | | 1 |
| 1011 | | 3778 | | | | | 2 | 1 |
| 1012 | | 1297.5 | 6 | 8 | 8 | 8 | 8 | 1-3 |
| 1013 |  | 1841 | 1 | 1 | 1 | 1 | 1 | 2 |
| 1014 | | 597 | 2 | 2 | 2 | 2 | 2 | 3 |
| 1015 | | 1214 | 2 | 4 | 6 | 8 | 10 | 1 |
| 1016 |  | 1132.5 | 2 | 4 | 6 | 8 | 10 | 4 |
| 1017 | | 1665 | 1 | 1 | 1 | 1 | 1 | 2 |
| 1018 | | 1665 | 1 | 1 | 1 | 1 | 1 | 2 |
| 1019 | | 1862 | 1 | 1 | 1 | 1 | 1 | 2 |
| 1020 |  | 1650 | 1 | 1 | 1 | 1 | 1 | 3 |

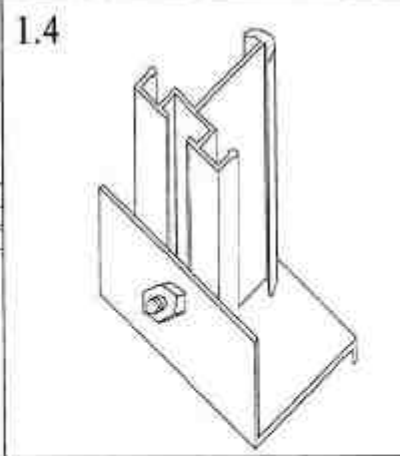
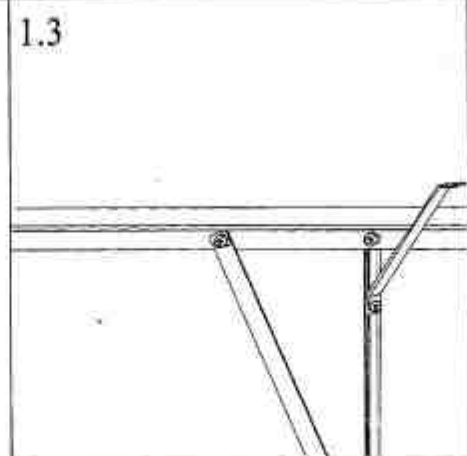
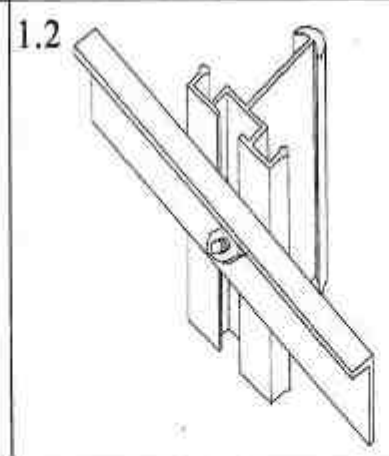
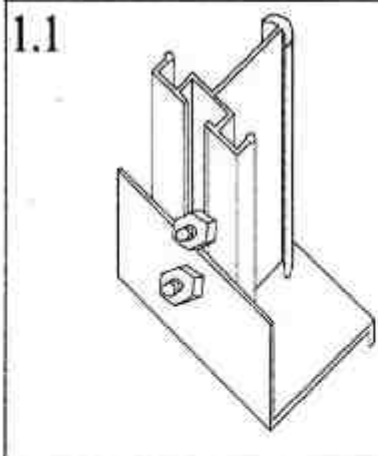
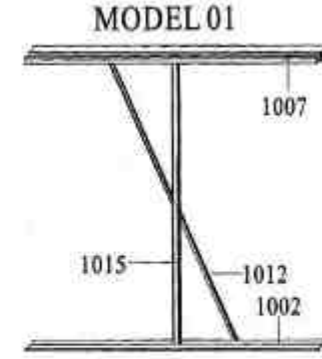
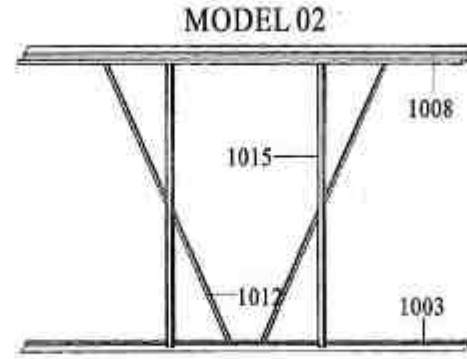
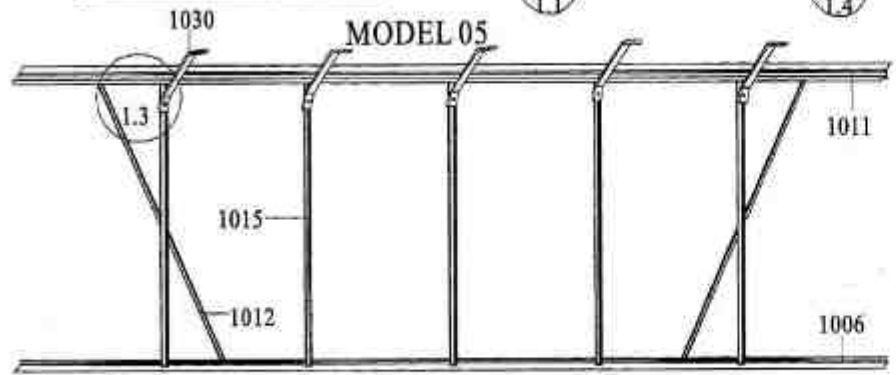
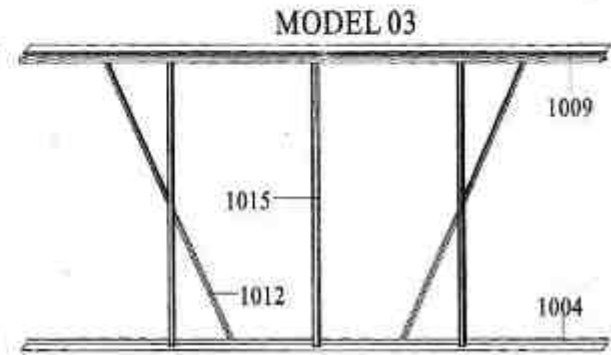
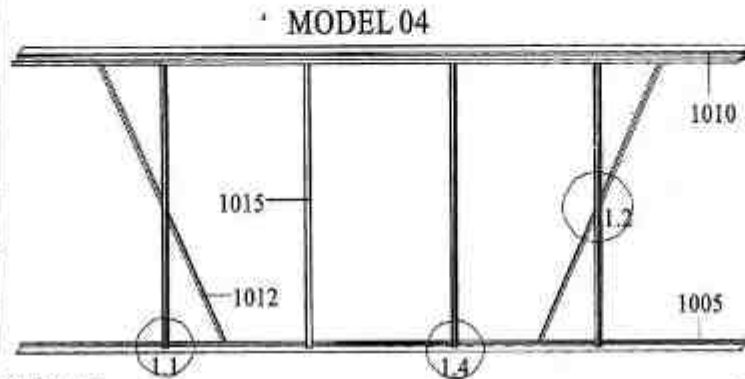
| NO. |  | mm | MODEL | | | | | Sektion |
|------|---|---|-------|----|----|----|----|---------|
| | | | 01 | 02 | 03 | 04 | 05 | |
| 1021 |  | 1650 | 1 | 1 | 1 | 1 | 1 | 3 |
| 1022 |  | 1257 | 1 | 1 | 1 | 1 | 1 | 3 |
| 1023 |  | 1214 | 4 | 4 | 4 | 4 | 4 | 2-3 |
| 1024 | | 1154 | 1 | 1 | 1 | 1 | 1 | 2 |
| 1025 | | 1154 | 1 | 1 | 1 | 1 | 1 | 2 |
| 1026 | | 1154 | 1 | 1 | 1 | 1 | 1 | 3 |
| 1027 | | 1154 | 1 | 1 | 1 | 1 | 1 | 3 |
| 1028 | |  | | 4 | 4 | 4 | 4 | 4 |
| 1029 |  | 620 | 1 | 1 | 1 | 1 | 1 | 3 |
| 1030 |  | 260 | 1 | 2 | 3 | 4 | 15 | 4 |
| 1031 |  | 390 | 1 | 1 | 1 | 1 | 1 | 4 |
| 1032 |  | 618 | 1 | 1 | 1 | 1 | 1 | 5 |
| 1033 |  | 1240 | 1 | | | | | 4 |
| 1034 | | 1862 | | 1 | | | | 4 |
| 1035 | | 2484 | | | 1 | | | 4 |
| 1036 | | 3106 | | | | 1 | | 4 |
| 1037 | | 3728 | | | | | 1 | 4 |

| NO. |  | mm | MODEL | | | | | Sektion |
|------|---|-------|-------|-----|-----|-----|-----|---------|
| | | | 01 | 02 | 03 | 04 | 05 | |
| 1038 |  | 621 | 2 | 2 | 2 | 2 | 2 | 5 |
| 1039 |  | 1610 | 2 | 2 | 2 | 2 | 2 | 5 |
| 1040 |  | 1610 | 2 | 2 | 2 | 2 | 2 | 5 |
| 1043 |  | 621 | 1 | 1 | 1 | 1 | 1 | 5 |
| 1044 |  | 621 | 1 | 1 | 1 | 1 | 1 | 5 |
| 1047 |  | 522 | 2 | 2 | 2 | 4 | 4 | 6 |
| 1048 |  | 602 | 1 | 1 | 1 | 2 | 2 | 6 |
| 1049 |  | 602 | 1 | 1 | 1 | 2 | 2 | 6 |
| 1050 |  | 635 | 1 | 1 | 1 | 2 | 2 | 6 |
| 1051 |  | M6X10 | 84 | 100 | 110 | 124 | 154 | 1-6 |
| 1052 |  | 40 | 2 | 2 | 2 | 4 | 4 | 6 |
| 1053 |  | M4 | 2 | 2 | 2 | 2 | 2 | 5 |

| NO. |  | mm | MODEL | | | | | Sektion |
|------|---|---------|-------|-----|-----|-----|-----|---------|
| | | | 01 | 02 | 03 | 04 | 05 | |
| 1055 |  | 35 | 2 | 2 | 2 | 2 | 2 | 5 |
| 1056 |  | 22 | 2 | 2 | 2 | 2 | 2 | 5 |
| 1057 |  | — | 144 | 172 | 204 | 232 | 264 | 7 |
| 1058 |  | M6X40 | 1 | 1 | 1 | 1 | 1 | 5 |
| 1059 |  | No.6X6 | 6 | 6 | 6 | 12 | 12 | 5 |
| 1060 |  | M6 | 84 | 100 | 110 | 124 | 154 | 1-6 |
| 1061 |  | 250 | 1 | 1 | 1 | 2 | 2 | 6 |
| 1062 |  | 32 | 1 | 1 | 1 | 1 | 1 | 5 |
| 1063 |  | M4 | 2 | 2 | 2 | 2 | 2 | 5 |
| 1064 |  | M4X16 | 2 | 2 | 2 | 2 | 2 | 5 |
| 1065 |  | No.6X16 | 16 | 16 | 16 | 16 | 16 | 5 |

1

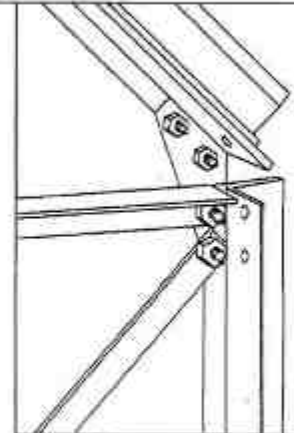
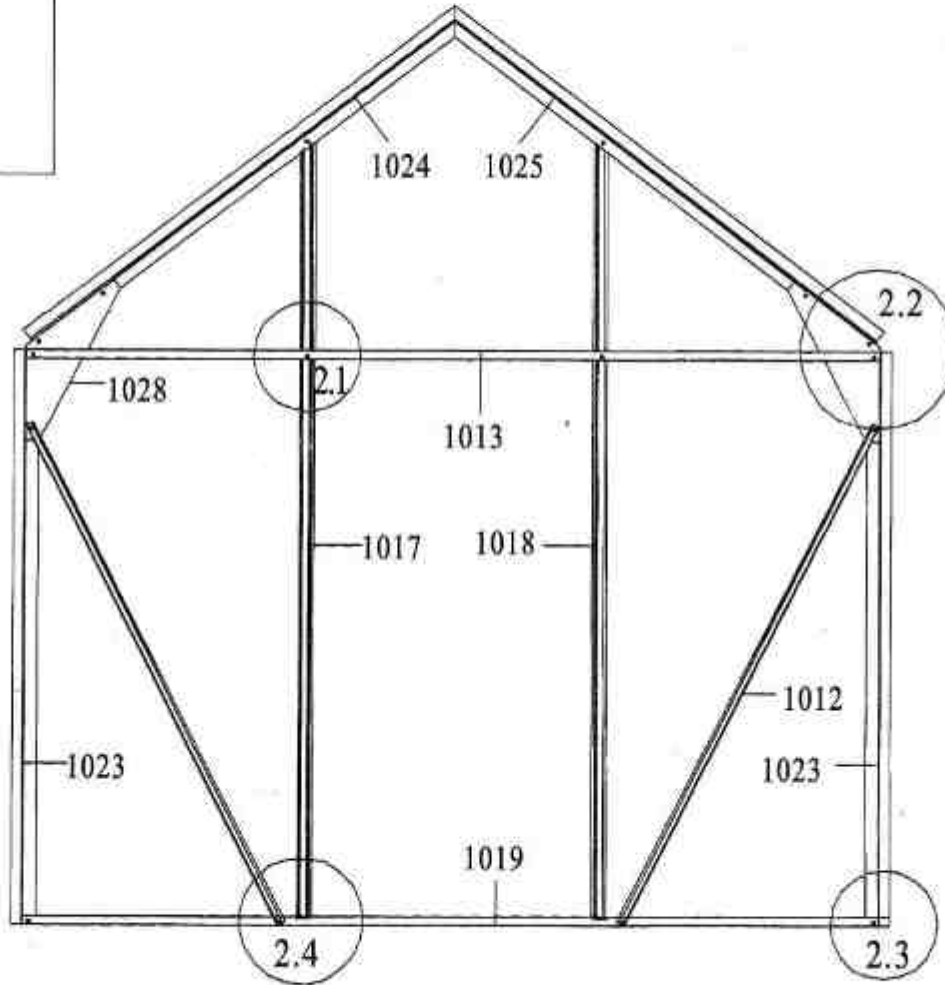
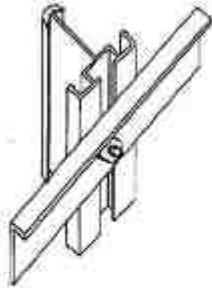
| MODEL | 01 | 02 | 03 | 04 | 05 |
|-------|------|------|------|------|------|
| 1001 | 1002 | 1003 | 1004 | 1005 | 1006 |
| | 2 | 2 | 2 | 2 | 2 |
| 1002 | 1007 | 1008 | 1009 | 1010 | 1011 |
| | 2 | 2 | 2 | 2 | 2 |
| 1003 | 2 | 4 | 4 | 4 | 4 |
| | 2 | 4 | 6 | 8 | 10 |
| 1004 | 0 | 0 | 0 | 0 | 10 |
| | 10 | 20 | 24 | 28 | 42 |
| 1005 | 10 | 20 | 24 | 28 | 42 |
| | | | | | |



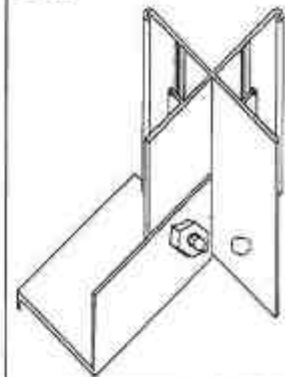
2

| | | |
|------|----|--|
| 1019 | 1 | |
| 1012 | 2 | |
| 1023 | 1 | |
| 1023 | 1 | |
| 1024 | 1 | |
| 1025 | 1 | |
| 1013 | 1 | |
| 1017 | 1 | |
| 1018 | 1 | |
| 1028 | 2 | |
| 1060 | 18 | |
| 1051 | 18 | |

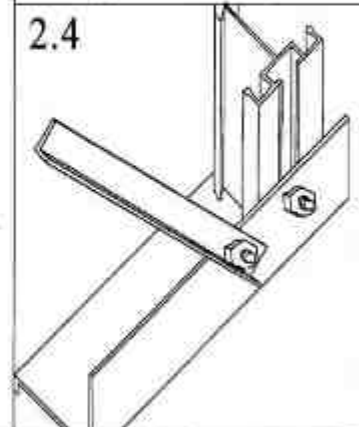
2.1



2.3

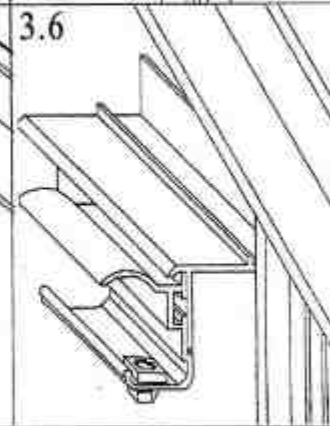
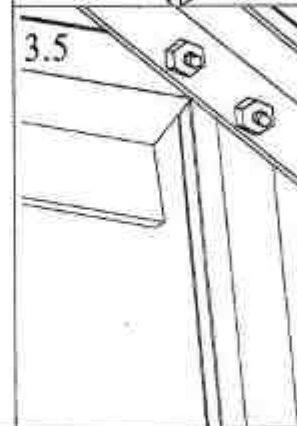
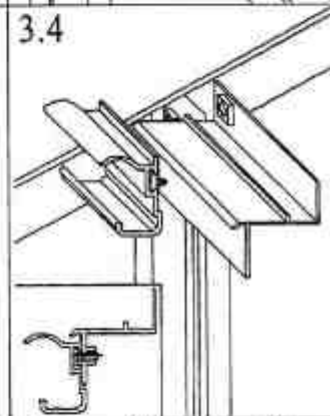
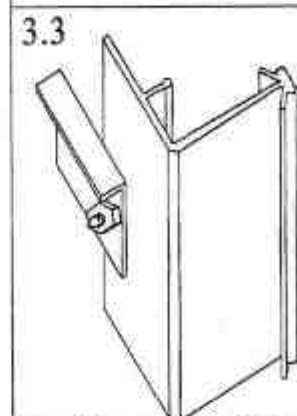
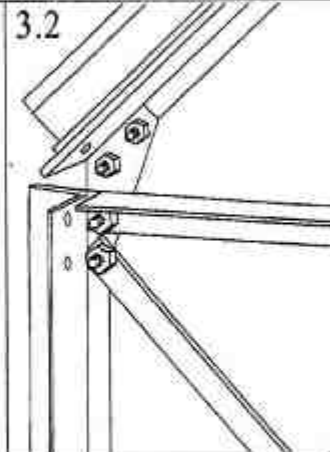
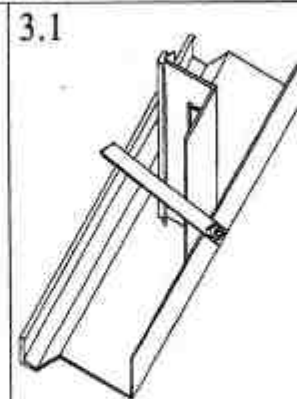
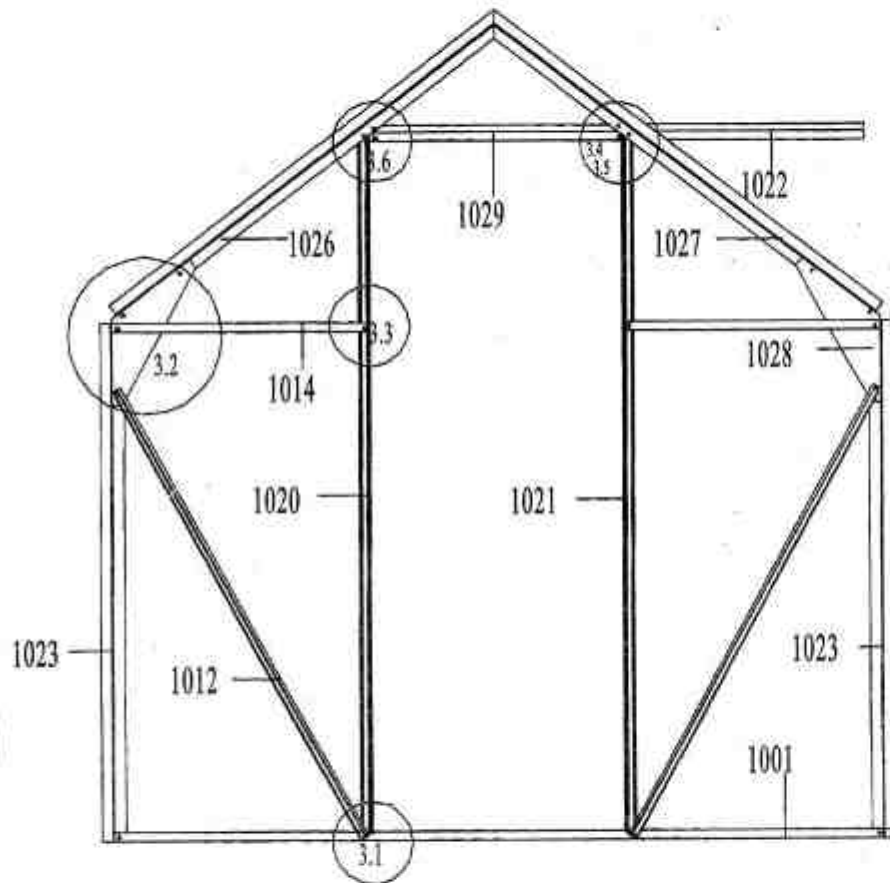


2.4



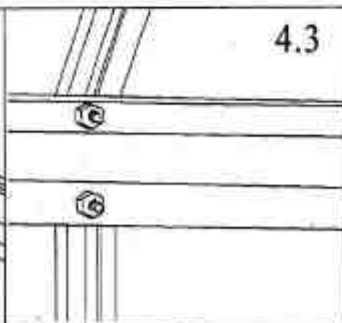
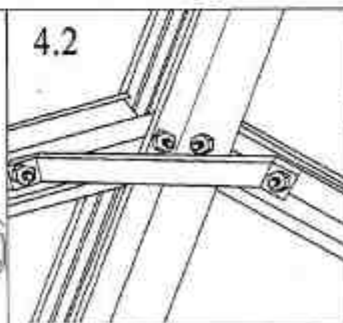
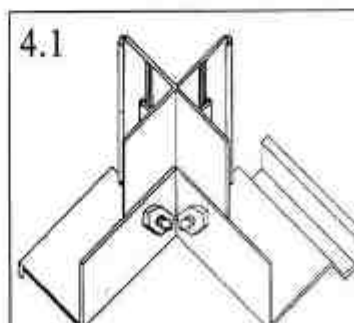
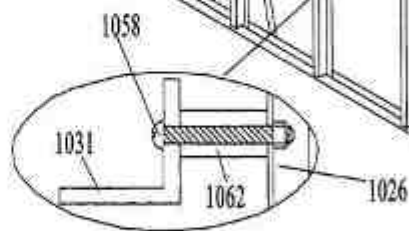
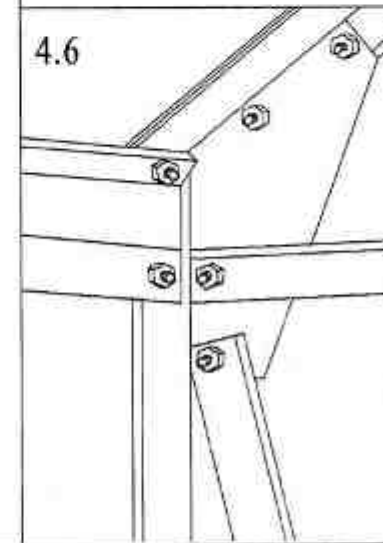
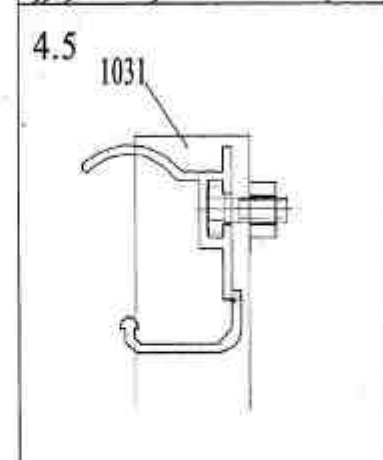
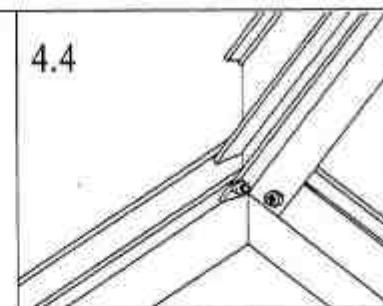
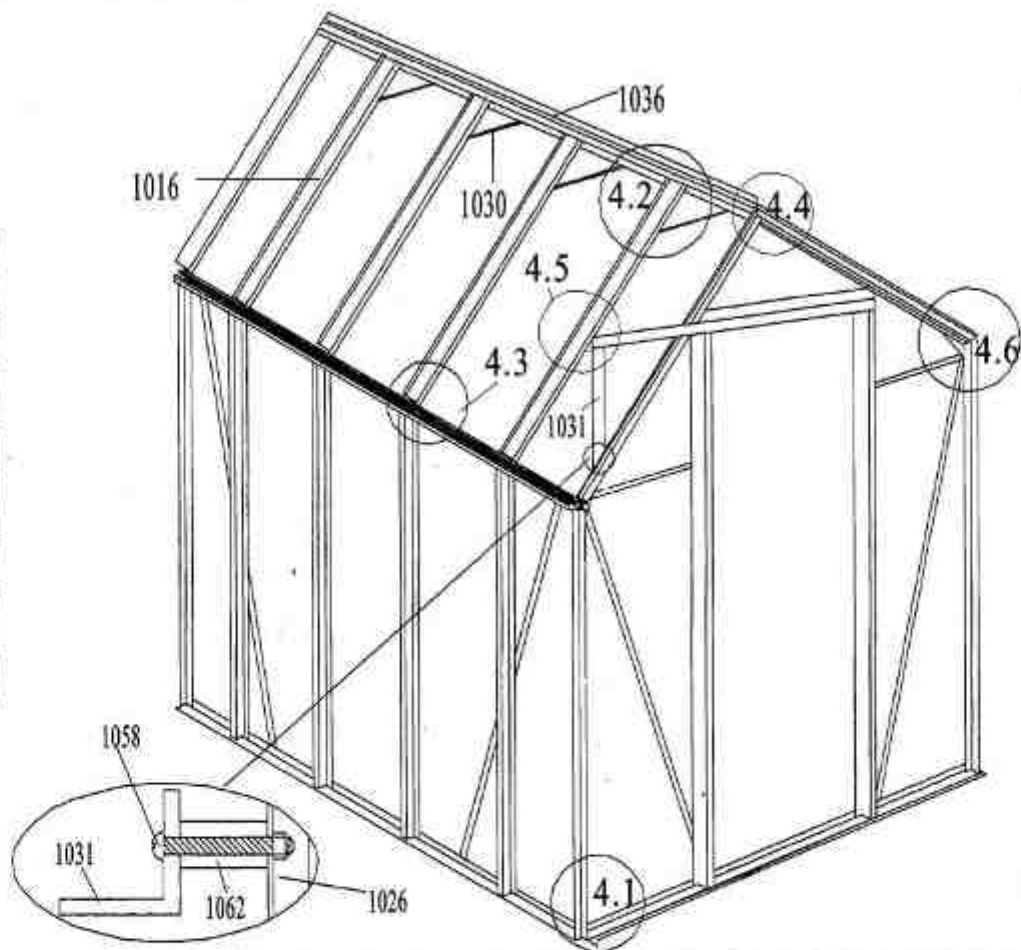
3

| | |
|------|--|
| 1001 | |
| 1 | |
| 1012 | |
| 2 | |
| 1023 | |
| 1 | |
| 1025 | |
| 1 | |
| 1020 | |
| 1 | |
| 1021 | |
| 1 | |
| 1022 | |
| 1 | |
| 1026 | |
| 1 | |
| 1027 | |
| 1 | |
| 1014 | |
| 2 | |
| 1029 | |
| 1 | |
| 1028 | |
| 2 | |
| 1040 | |
| 18 | |
| 1051 | |
| 18 | |



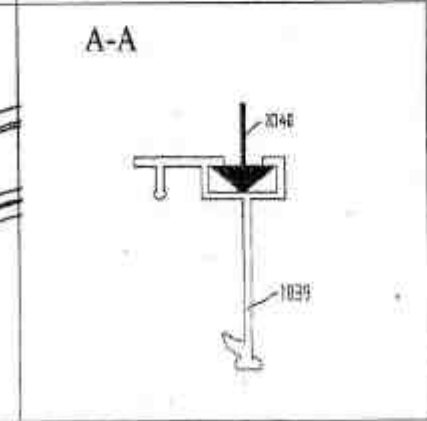
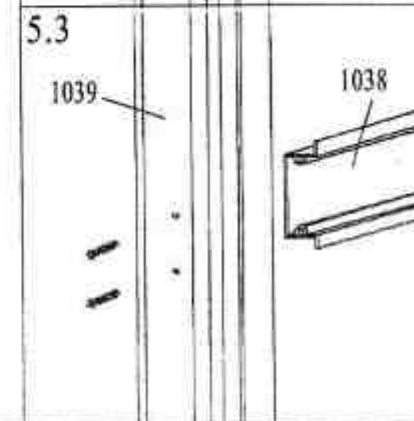
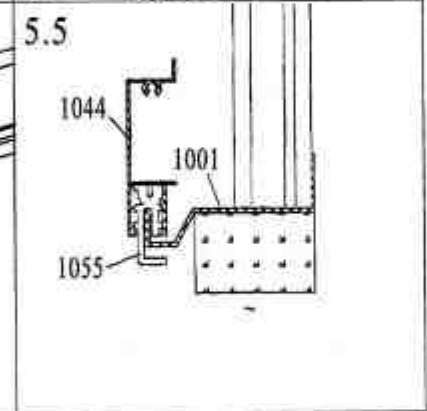
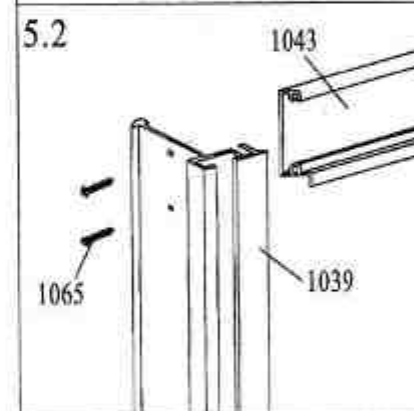
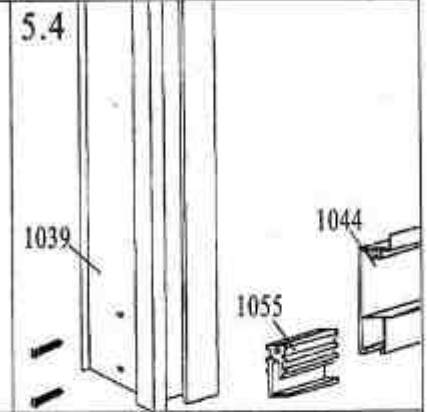
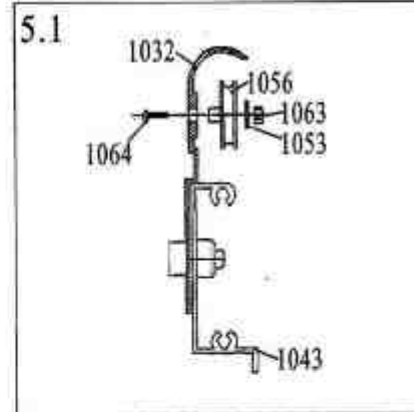
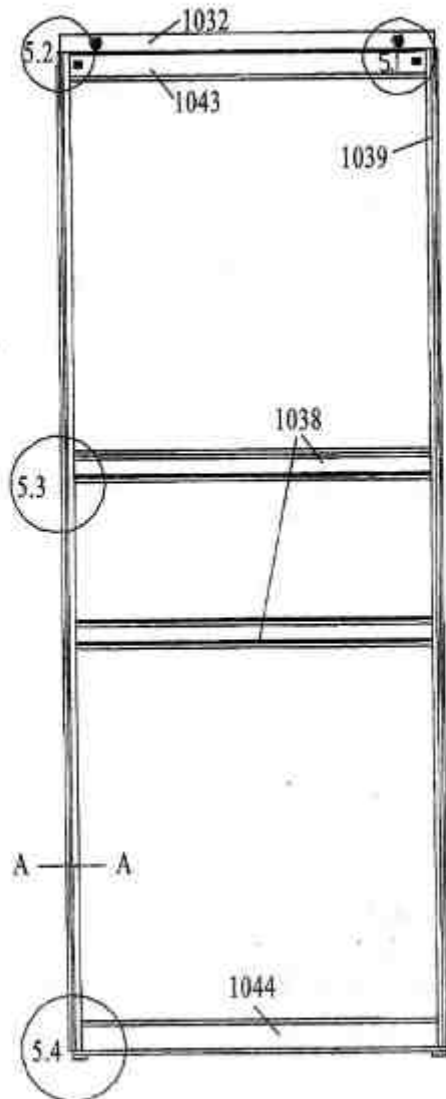
4

| MODEL | 01 | 02 | 03 | 04 | 05 |
|--------------------------------------|----|----|----|----|----|
| 1033 1034 1035 1036 1037 | 1 | 1 | 1 | 1 | 1 |
| 1031 | 1 | 1 | 1 | 1 | 1 |
| 1016 | 2 | 4 | 6 | 8 | 10 |
| 1030 | 1 | 2 | 3 | 4 | 5 |
| 1060 | 11 | 17 | 23 | 29 | 45 |
| 1051 | 10 | 16 | 22 | 28 | 44 |
| 1058 | 1 | 1 | 1 | 1 | 1 |
| 1062 | 1 | 1 | 1 | 1 | 1 |

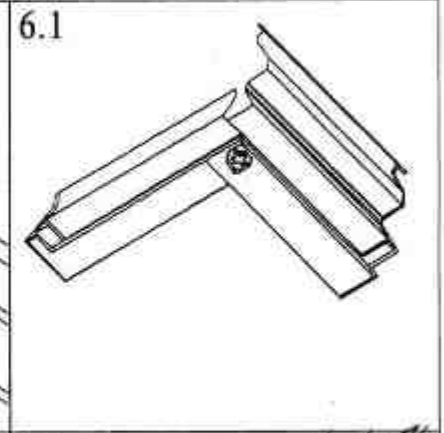
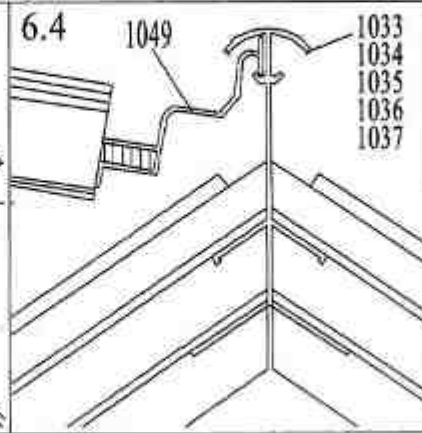
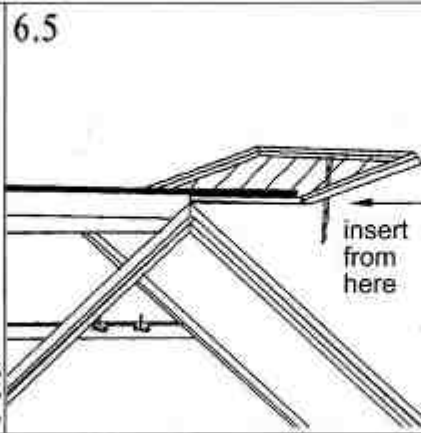
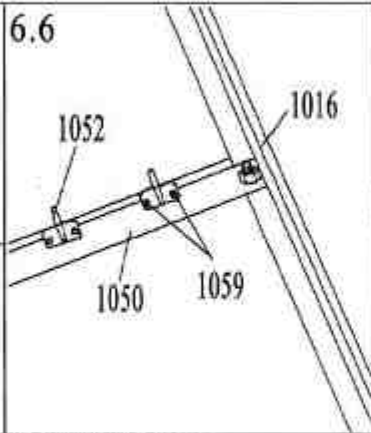


5

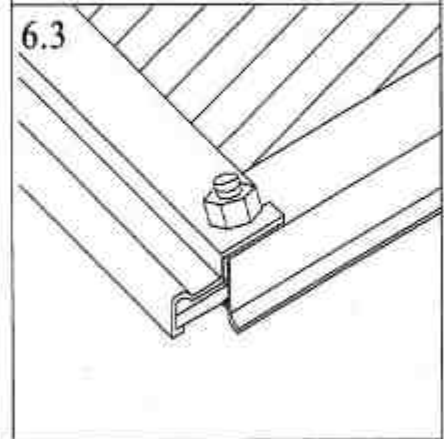
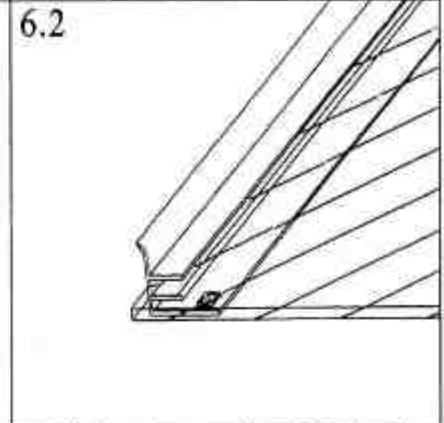
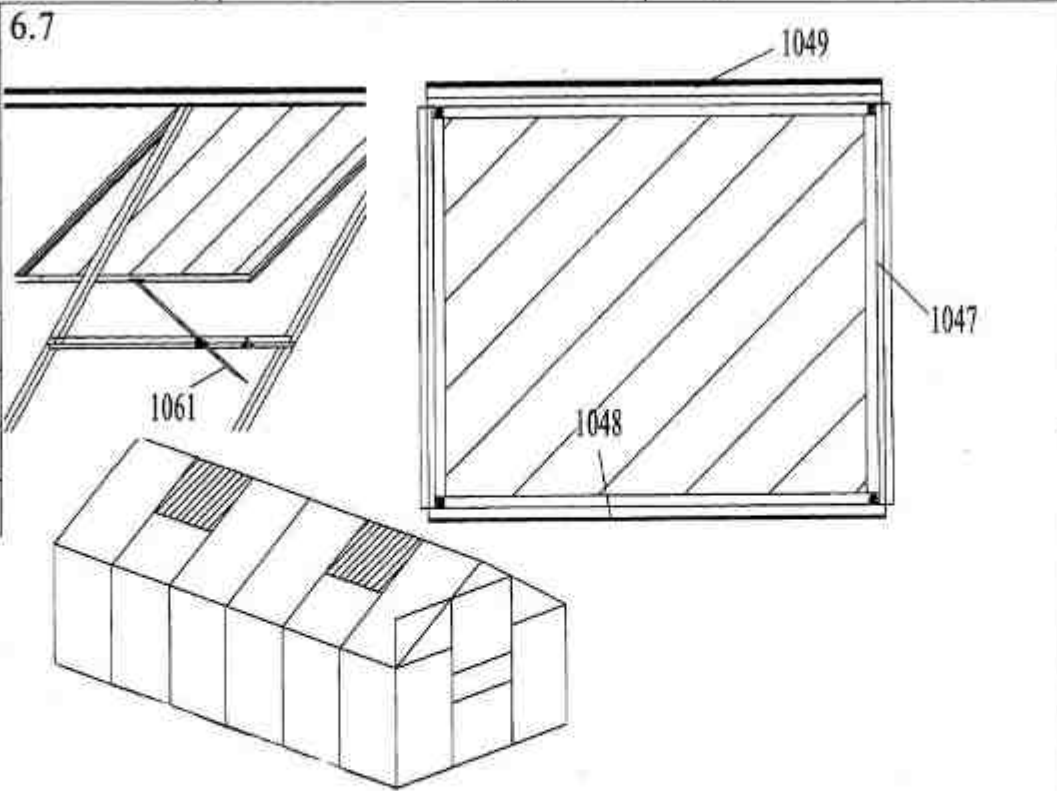
| | |
|------|--|
| 1032 | |
| 1 | |
| 1043 | |
| 1 | |
| 1039 | |
| 2 | |
| 1038 | |
| 2 | |
| 1044 | |
| 1 | |
| 1056 | |
| 2 | |
| 1064 | |
| 2 | |
| 1053 | |
| 2 | |
| 1055 | |
| 2 | |
| 1065 | |
| 16 | |
| 1040 | |
| 2 | |
| 1060 | |
| 2 | |
| 1051 | |
| 2 | |
| 1063 | |
| 2 | |



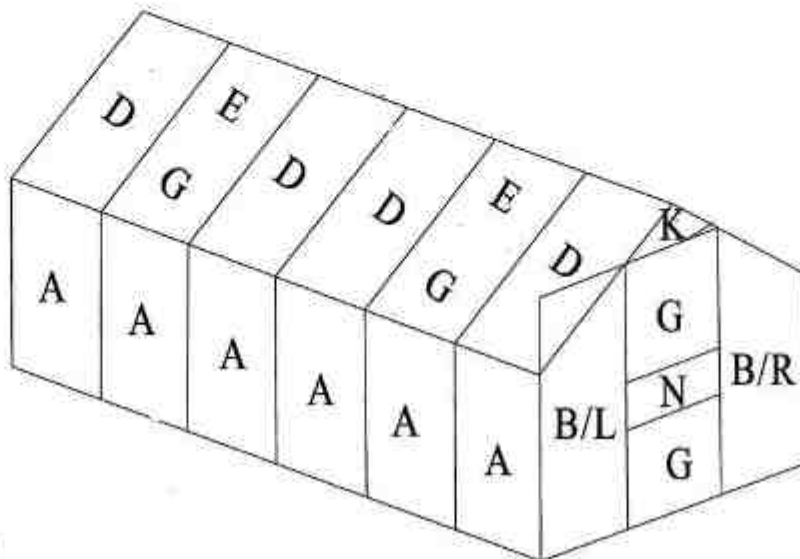
6



| MODEL | 01 | 02 | 03 | 04 | 05 |
|-------|----|----|----|----|----|
| 1047 | 2 | 2 | 2 | 4 | 4 |
| 1048 | 1 | 1 | 1 | 2 | 2 |
| 1049 | 1 | 1 | 1 | 2 | 2 |
| 1050 | 1 | 1 | 1 | 2 | 2 |
| 1052 | 2 | 2 | 2 | 4 | 4 |
| 1059 | 6 | 6 | 6 | 12 | 12 |
| 1061 | 1 | 1 | 1 | 2 | 2 |
| 1060 | 4 | 4 | 4 | 8 | 8 |
| 1051 | 4 | 4 | 4 | 8 | 8 |



7

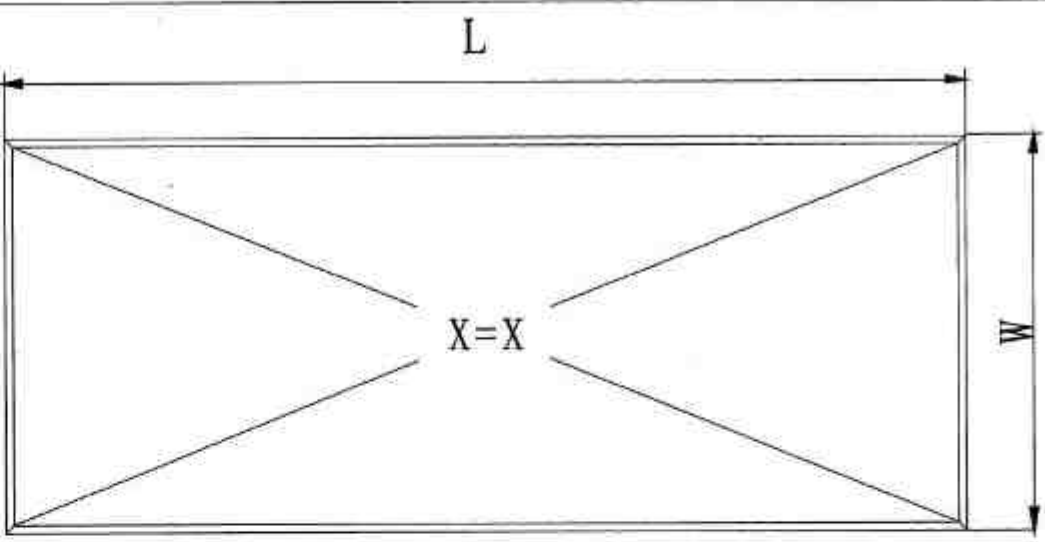
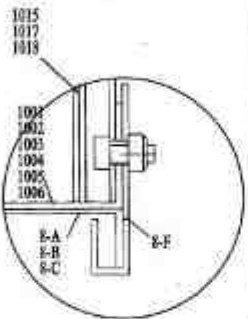


| | | 01 | 02 | 03 | 04 | 05 |
|-------|---------------|----|----|----|----|----|
| 7-A | 1212X612 | 4 | 6 | 8 | 10 | 12 |
| 7-B/L | 1660/1233X612 | 2 | 2 | 2 | 2 | 2 |
| 7-B/R | 1660/1233X612 | 2 | 2 | 2 | 2 | 2 |
| 7-C | 1882/1665X612 | 1 | 1 | 1 | 1 | 1 |
| 7-D | 1142X612 | 4 | 5 | 7 | 8 | 10 |
| 7-E | 600X544 | 0 | 1 | 1 | 2 | 2 |
| 7-G | 610X610 | 2 | 3 | 3 | 4 | 4 |
| 7-K | 615X20/234 | 1 | 1 | 1 | 1 | 1 |
| 7-N | 612X228.5 | 1 | 1 | 1 | 1 | 1 |

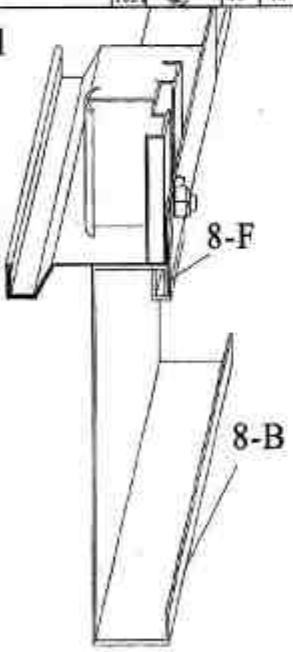
8

| mm | 01 | 02 | 03 | 04 | 05 |
|----|------|------|------|------|------|
| L | 1925 | 1925 | 1925 | 1925 | 1925 |
| W | 1300 | 1922 | 2544 | 3166 | 3788 |

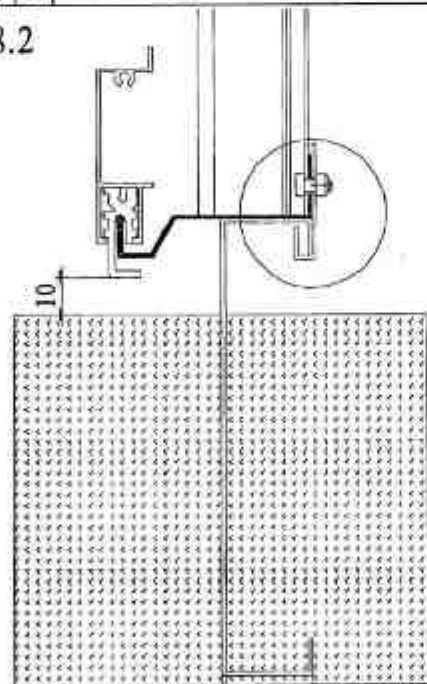
| MODEL | 01 | 02 | 03 | 04 | 05 |
|-------|------|------|------|------|------|
| 8-A | - | - | 1272 | 1583 | 1894 |
| 8-B | 1925 | 1925 | 1925 | 1925 | 1925 |
| 8-C | 1300 | 1922 | - | - | - |
| 8-D | - | - | 2 | 2 | 2 |
| 8-E | 4 | 4 | 4 | 4 | 4 |
| 8-F | 10 | 12 | 14 | 16 | 18 |
| 060 | 16 | 16 | 24 | 24 | 24 |
| 105 | 16 | 16 | 24 | 24 | 24 |



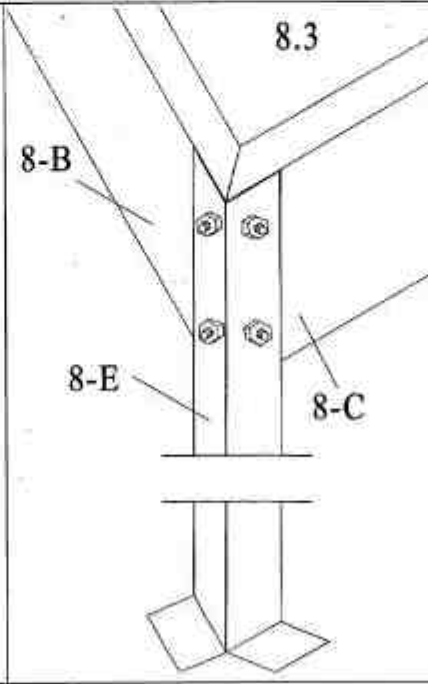
8.1



8.2



8.3



8.4

